

SINGER

112W126

LIST OF PARTS



MACHINE No. 112w126

THE SINGER MANUFACTURING COMPANY

INDEX

	PAGE
ACCESSORIES	19
BINDERS	23
BOBBIN WINDER	19
KNEE LIFTER	20
MACHINE No. 112w126	7
MISCELLANEOUS PARTS	24
NUMERICAL LIST OF PARTS	25
PRESSER FEET	22
THREAD UNWINDER	21

From the library of: Diamond Needle Corp

Instructions for Ordering

In ordering from this list, use **ONLY** the **PART** number in the **FIRST** column.

The number stamped on a Sewing Machine Part is the number of the Single Part only, except when the part includes Set Screws, Clamping Screws, Studs and Rollers Spun on, Small Wires riveted, or Parts soldered together, etc., which it is necessary to furnish in combination.

Every combination of parts sent out has its specific number which, although not stamped on Parts (except in above cases) must be used when ordering the combination.

Each number always indicates the **SAME PART** in whatever list it appears, or for whatever Machine.

The letters after some of the numbers indicate the style of finish only, as follows:

- A. Hardened, Polished and Plated.
- B. Polished and Plated.
- C. Hardened only.
- D. Polished only.
- E. Soft, not polished.
- F. Hardened and Polished.
- H. Blued.
- J. Nickel Plated only.
- R. Merlized.
- Y. Black Nickel Plated only.

These letters **MUST BE USED** when they appear in the list and **AFTER** the number, as in the list.

200001 to 201500 and 350001 to 351500 are Screw Numbers

201501 to 201800 and 351501 to 351800 are Nut Numbers.

201801 to 202000 and 350801 to 352000 are Roller Numbers.

202001 to 350000 are Numbers of Machine Parts.

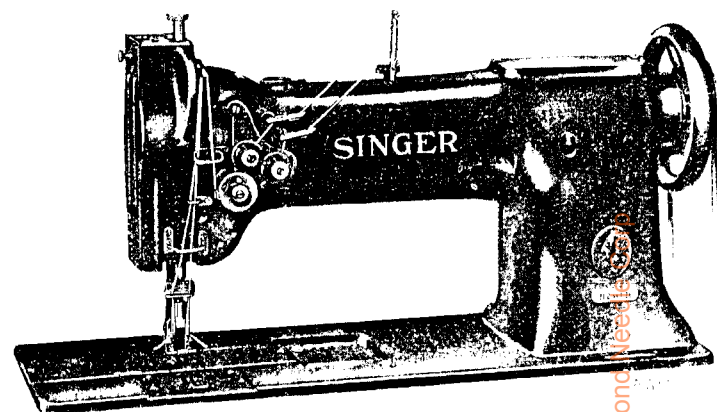
The figures in the second column refer only to the plate in which the illustration of the part is shown and are **NOT TO BE USED** in ordering.

Two or more numbers over a cut indicate that the difference between such parts is not visible in an illustration.

Parts marked with an asterisk (*) are furnished only when repairs are made at the factory.

LIST OF PARTS COMPLETE

FOR



MACHINE No. 112w126

TWO NEEDLE. HIGH SPEED. COMPOUND FEED

For Canvas, Rubberized Fabrics, Binding
Blankets, etc.

In gauges from $\frac{1}{8}$ to $1\frac{1}{2}$ inches

No.	Plate	Name
*237200		Arm with 202135
224002	13224	" Cap
200278u	13265	" " Screw
202248	14469	" " " Washer
204235	13265	" Position Pin (2)
200004e	14469	" Screw (3)
202005	14469	" " Washer (3)
240102	14471	" Shaft with 200357e and 224392
202243	14459	" " Bushing (back) with 202244
202244		Arm Shaft Bushing (back) Oil Packing (wick)
200338e	14469	Arm Shaft Bushing (back) Set Screw
207080	14459	Arm Shaft Bushing (front) with 202244

From the library of: Diamond Needle

Parts for Machine No. 112w126

No.	Plate	Name
202244	---	Arm Shaft Bushing (front) Oil Packing (wick)
200502B	14469	Arm Shaft Bushing (front) Oil Packing Thumb Screw
200341c	13232	Arm Shaft Bushing (front) Set Screw
224103	14459	Arm Shaft Connection Belt
224104	14470	" " " " Pulley with 200327c, 200602E and two 202253
200602E	13265	Arm Shaft Connection Belt Pulley Position Screw
200327c	14469	Arm Shaft Connection Belt Pulley Set Screw
202253	13265	Arm Shaft Connection Belt Pulley Spring Flange
224113	14469	Arm Shaft Connection Belt Timing Collar with 200113F
200113F	13265	Arm Shaft Connection Belt Timing Collar Set Screw
224139	13265	Arm Shaft Connection Belt Timing Plate
200164B	13265	Arm Shaft Connection Belt Timing Plate Screw (2)
224392	---	Arm Shaft Oil Packing (wick)
200357E	14469	" " " " Stop Screw
224144	14459	Attachment Slide Plate with 213479 and 236061
236061	13265	Attachment Slide Plate Friction Slide
213479	13265	Attachment Slide Plate Friction Slide Spring
234147	14471	Balance Wheel (belt groove 2 $\frac{3}{4}$ in. diam.), with 200328c and 200335c
200062H	14469	Balance Wheel Adjusting Screw
200328c	14469	" " Position Screw
200335c	14469	" " Set Screw
*224105	---	Bed with 203376
54897	13265	" Oil Cup
202258	14459	" Hinge Connection (2)
200570E	13232	" " " Screw (4)
223852	14470	" Slide (back)
223811	13265	" " " Stop
223812	13265	" " " Spring
223853	14470	" " (front), for use with Throat Plates in gauges from $\frac{1}{4}$ to $\frac{1}{2}$ inch

Parts for Machine No. 112w126

No.	Plate	Name
224043	13233	Bed Slide (front), for use with Throat Plates in gauges from $\frac{1}{4}$ to 1 inch
224044	13233	Bed Slide (front), for use with Throat Plates in gauges from $1\frac{1}{2}$ to $1\frac{1}{2}$ inches
203470	---	Bobbin (2)
*236081	---	" Case
203648	14469	" " Latch
*202056	---	" " " Pin
203473	14469	" " " Plunger
203474	13265	" " " Spring
224004	14469	" " Opener
224005	14469	" " " Lever with 20349c, 201542c and 203101
201349c	13232	Bobbin Case Opener Lever Driving Screw Stud
201542c	13232	Bobbin Case Opener Lever Driving Screw Stud Nut
203101	---	Bobbin Case Opener Lever Driving Screw Stud Oil Packing (wick)
223622	13232	Bobbin Case Opener Lever Hinge Stud with 202277
202277	---	Bobbin Case Opener Lever Hinge Stud Oil Packing (wick)
200364c	13265	Bobbin Case Opener Lever Hinge Stud Set Screw
223623	13232	Bobbin Case Opener Lever Link
200118D	13232	" " " Screw
236083	13265	" " Tension Spring
201016F	13265	" " " " Regulat- ing Screw
200594c	13232	Bobbin Case Tension Spring Screw
203216	---	" " Washer (cloth)
236082	13265	Bobbin Case complete, Nos. 200594c, 201016F, 202056, 203216, 203473, 203474, 203648, 236081 and 236083
240104	14471	Face Plate
202135	13232	" " Position Pin
200473B	13232	" " Thumb Screw
224050	14470	Feed Bar with 200336E and 201535E
224051	---	" " 224050 with 200040c, 224052 and 225837
201223c	13232	Feed Bar Hinge Screw (driving)
201518E	13232	" " " " Nut
223629	14476	" Dog, 46 needle hole, for needle sizes 16 and 18, in gauges $\frac{1}{4}$, $\frac{3}{8}$, $\frac{1}{2}$ and $\frac{5}{8}$ in., for 224030

From the file of: Airphoto file 101P

Parts for Machine No. 112w126

No.	Plate	Name
223628	14476	Feed Dog, 46 needle hole, for needle sizes 16 and 18, in gauges from $\frac{1}{8}$ to $\frac{13}{32}$ in., in steps of $\frac{1}{32}$ in., for 223884
223632	14476	Feed Dog, 46 needle hole, for needle sizes 16 and 18, in gauges from $\frac{1}{8}$ to $\frac{13}{32}$ in., in steps of $\frac{1}{32}$ in., for 224033
223635	14476	Feed Dog, 46 needle hole, for needle sizes 16 and 18, in gauges from $\frac{1}{8}$ to $\frac{13}{32}$ in., in steps of $\frac{1}{32}$ in., for 224035
200106E	13232	Feed Dog Screw (2)
200336c	13265	" " Support Screw
201535E	13232	" " " " Nut
237565	14471	" Driving Connection with 200049b and 202330
201171c	13232	Feed Driving Connection Hinge Screw
201517b	13232	Feed Driving Connection Hinge Screw Nut
202277	---	Feed Driving Connection Hinge Screw Oil Packing (wick)
202330	---	Feed Driving Connection Oil Packing (wick)
200049b	13232	Feed Driving Connection Pinch Screw
237521	14470	Feed Driving Eccentric Regulating Bracket
237043	---	Feed Driving Eccentric Regulating Bracket 237521 with 224108, two each 200256b and 201525E
224108	14470	Feed Driving Eccentric Regulating Bracket Flange with 200383c and 200437c
200437c	14469	Feed Driving Eccentric Regulating Bracket Flange Position Screw
200383c	14469	Feed Driving Eccentric Regulating Bracket Flange Set Screw
200256b	14469	Feed Driving Eccentric Regulating Bracket Hinge Screw
201525E	14469	Feed Driving Eccentric Regulating Bracket Hinge Screw Nut
202301	14469	Feed Driving Eccentric Regulating Bracket Plunger
237523	14469	Feed Driving Eccentric Regulating Bracket Plunger Spring

Parts for Machine No. 112w126

No.	Plate	Name
200607c	14469	Feed Driving Eccentric Regulating Bracket Plunger Spring Stop Screw
200256b	14469	Feed Driving Eccentric Regulating Bracket Stop Screw
201525E	14469	Feed Driving Eccentric Regulating Bracket Stop Screw Nut
200429c	14469	Feed Driving Eccentric Regulating Screw
200383c	14469	Feed Driving Eccentric Regulating Screw Check Screw
223650	14471	Feed Driving Rock Shaft
223651	---	" " " " 223650 with 201223c, 201518E and 224051
223652	14470	Feed Driving Rock Shaft Crank with 200019E
200019E	14469	Feed Driving Rock Shaft Crank Pinch Screw
202625	14462	Feed Driving Rock Shaft Stop Collar with two 200383c
200383c	14469	Feed Driving Rock Shaft Stop Collar Set Screw
224154	14462	Feed Lifting Cam with 201220c
224052	14462	" " " Fork with 200173b and 223655
200040c	14462	Feed Lifting Cam Fork Screw
225837	14462	" " " " Washer
223655	---	" " " " Oiling Felt
200173b	14462	" " " " Screw
201220c	14462	" " " Set Screw
224122	14470	" Regulating Spindle with 202311, 202443 and 202619
*202311	---	Feed Regulating Spindle Head
202443	14469	" " " " Pin
202619	14469	" " " " Position Pin
*224016	---	Hook (sewing)
224115	14462	" 224016 with 224025, 224100, two each 200590u and 201253E
240632	---	Hook and Bobbin Case complete, Nos. 224115 and 2360S2
224019	14462	Hook Bushing (lower) (bronze)
200364c	13265	" " " Set Screw
224020	14462	" " (upper) (bronze)
200446c	14462	" " " Position Screw
223867	14462	" Driving Gear (spiral) with 200362c and 201222c (2)

Parts for Machine No. 112w126

No.	Plate	Name
201222c	14462	Hook Driving Gear Position Screw
200362c	14462	" " " Set Screw
224021	14462	" " Pinion (spiral) with 200382c
200382c	14462	Hook Driving Pinion Set Screw
224022	14462	" " " Thrust Washer
224110	14471	" " Shaft
224111	14459	" " " Bushing with 202244
202244	—	Hook Driving Shaft Bushing Oil Packing (wick)
200327c	14469	Hook Driving Shaft Bushing Set Screw
224112	14470	Hook Driving Shaft Connection Belt Pulley with 202253 and two 201254c
201254c	14462	Hook Driving Shaft Connection Belt Pulley Set Screw
202253	13265	Hook Driving Shaft Connection Belt Pulley Spring Flange
224100	14462	Hook Gib
201253F	14462	" " Screw
224023	13224	" Saddle (left) with 200009E, 200446c, 224019, 224020 and two 200364c
224024	13224	Hook Saddle (right) with 200009E, 200446c, 224019, 224020 and two 200364c
223680	13233	Hook Saddle Bearing (left)
200327c	14469	" " " " Set Screw
223681	13233	Hook Saddle Bearing (right)
200335c	14469	" " " " Set Screw
223682	13233	Hook Saddle Oil Guard
223814	—	" " " " Felt
200096D	14462	" " " " Screw (2)
200009E	14462	" " Pinch Screw
200006E	14469	" " Screw (2)
225585	14469	" " Washer (2)
237193	—	Hook Saddle (left) complete, Nos. 200118D, 223622, 223623, 224004, 224005, 224021 to 224023 and 240032
240033	—	Hook Saddle (right) complete, Nos. 200118D, 223622, 223623, 224004, 224005, 224021, 224022, 224024 and 240032

Parts for Machine No. 112w126

No.	Plate	Name
224025	14469	Hook Washer
200590H	14469	" " Screw
237837	14471	Knee Lifter Connection Lever
200262H	14469	" " " " Hinge Screw
223684	14471	Knee Lifter Connection Lever Lift- ing Rod with 202302
202302	14472	Knee Lifter Connection Lever Lift- ing Rod Cotter Pin
206628	14469	Knee Lifter Connection Lever Lift- ing Rod Spring
227227	14469	Knee Lifter Connection Lever Lift- ing Rod Spring Collar with 200113F
200113F	13265	Knee Lifter Connection Lever Lift- ing Rod Spring Collar Set Screw
240175	14471	Knee Lifter Lifting Lever
200262H	14469	" " " " Hinge Screw
240191	14470	Lifting Eccentric with 200382c and 200398c
240126	14470	Lifting Eccentric Connection
240171	14470	" " " Crank with 200029E and 210933
210933	—	Lifting Eccentric Connection Crank Oil Packing (wick)
200029E	14472	Lifting Eccentric Connection Crank Pinch Screw
200398c	14472	Lifting Eccentric Position Screw
200382c	14462	" " Set Screw
240180	14472	" Lever
200996c	14472	" " Cap Screw
240181	14472	" " Link
350172c	14472	" " " Screw Stud
201524c	14472	" " " " Nut
237178	14478	" Presser Foot, for 237187, in gauges from $\frac{1}{8}$ to $\frac{15}{16}$ in., in steps of $\frac{1}{32}$ inch
237179	14478	Lifting Presser Foot, for 237188, in gauges from $\frac{3}{8}$ to $\frac{3}{4}$ in., in steps of $\frac{1}{32}$ inch
237180	14478	Lifting Presser Foot, for 237189, in gauges from $\frac{5}{8}$ to $1\frac{1}{2}$ in., in steps of $\frac{1}{32}$ inch
200074F	14472	Lifting Presser Foot Screw
240136	14473	" Rock Shaft with 201524E and 350172c
240174	—	Lifting Rock Shaft Bushing (2)

From the Library of Diamond Speeds Corp.

Parts for Machine No. 112w126

No.	Plate	Name
237181	14473	Needle Bar and Holder, in gauges from $\frac{3}{8}$ to $\frac{5}{8}$ in., in steps of $\frac{1}{16}$ in., with two 200141F
237182	14473	Needle Bar and Holder, in gauges from $\frac{3}{4}$ to 1 in., in steps of $\frac{1}{16}$ in., with two 200141F
237183	14473	Needle Bar and Holder, in gauges from $1\frac{1}{2}$ to $1\frac{1}{2}$ in., in steps of $\frac{1}{16}$ in., with two 200141F
202552	14472	Needle Bar Connecting Link
236073	14472	" " " " Oil Guard
201183D	14472	Needle Bar Connecting Link Oil Guard Screw
202333	14472	Needle Bar Connecting Link Stud with 202254
202254	—	Needle Bar Connecting Link Stud Oil Packing (wick)
200374c	14472	Needle Bar Connecting Link Stud Set Screw
200383c	14469	Needle Bar Connecting Link Stud Set Screw
208552	14472	Needle Bar Connecting Stud with 200086c and 202330
202330	—	Needle Bar Connecting Stud Oil Packing (wick)
200086c	14472	Needle Bar Connecting Stud Pinch Screw
202692	13233	Needle Bar Crank with 200335c, 200374c, 200383c, 200428c and 202333
237194	—	Needle Bar Crank 202692 with 202399, 202400, 202552, 208552 and 234144
203172	14472	Needle Bar Crank Friction Washer
200428c	14472	" " " Position Screw ..
200335c	14469	" " " Set Screw
240182	14473	" " Rock Frame
210910	14472	" " " " Hinge Stud with 202277
202277	—	Needle Bar Rock Frame Hinge Stud Oil Packing (wick)
200347c	14472	Needle Bar Rock Frame Hinge Stud Set Screw
202666	14472	Needle Bar Rock Frame Position Bracket
200098F	14472	Needle Bar Rock Frame Position Bracket Screw

Parts for Machine No. 112w126

No.	Plate	Name
223690	14471	Needle Bar Rock Frame Rock Shaft
223691	—	" " " " " " 223690 with 200387c and 210920 ..
223692	14473	Needle Bar Rock Frame Rock Shaft Crank with 200029E
223693	14473	Needle Bar Rock Frame Rock Shaft Crank Connection with 202277 ..
200833c	14474	Needle Bar Rock Frame Rock Shaft Crank Connection Hinge Screw ..
201522E	14474	Needle Bar Rock Frame Rock Shaft Crank Connection Hinge Screw Nut
202277	—	Needle Bar Rock Frame Rock Shaft Crank Connection Oil Packing (wick)
200029E	14472	Needle Bar Rock Frame Rock Shaft Crank Pinch Screw
202668	14474	Needle Bar Rock Frame Slide Block
210920	—	" " " " " " 202668 with 201141c
201141c	14474	Needle Bar Rock Frame Slide Block Screw Stud
200387c	14474	Needle Bar Rock Frame Slide Block Screw Stud Set Screw
200141F	14474	Needle Set Screw
208566	14473	Presser Bar with 200074F
235871	14474	" " Bushing (lower)
207072	14474	" " " (upper)
200352c	14474	" " " Set Screw (2)
240189	14474	" " Lifter
200653c	14474	" " " Hinge Screw
208555	14474	" " " Bracket with 200054E
200975F	14474	Presser Bar Lifter Bracket Guide Screw
200054E	14474	Presser Bar Lifter Bracket Pinch Screw
202337	14474	Presser Bar Position Guide
202338	14474	" " " " Lever with 200086F
200086F	14472	Presser Bar Position Guide Lever Pinch Screw
200352c	14474	Presser Bar Position Guide Set Screw
237836	14471	Presser Bar Spring (flat)
210949	14474	" " " Bracket with 200086c

Parts for Machine No. 112w126

No.	Plate	Name
200086c	14472	Presser Bar Spring Bracket Pinch Screw
201410f	14474	Presser Bar Spring Regulating Thumb Screw
200948f	14474	Presser Bar Spring Support Screw
234144	14474	Take-up Lever
202399	14484	" " Driving Stud with 202277
202277	—	Take-up Lever Driving Stud Oil Packing (wick)
202400	14484	Take-up Lever Hinge Stud with 202423
202423	—	Take-up Lever Hinge Stud Oil Packing (wick)
200363c	14474	Take-up Lever Hinge Stud Set Screw
223702	14484	Tension Bracket with two each 201224b and 236060
200159f	14484	Tension Bracket Screw
234047	14484	" " " Socket
200368H	14474	" " " " Set Screw
223705	—	Tension Bracket complete, Nos. 200978H, 201199f, 223702, 223703, 223706, 237174, two each 13710, 200309E, 204271, 223704, three 201572B and four 244048
244048	14484	Tension Disc
236060	14474	" " Position Pin
223703	14468	" Release Lever
235576	14484	" " " Rod
200309E	14468	" " " Screw
223704	14468	" " Plunger
240141	14484	" " Slide
240142	14484	" " " Spring
204271	14468	" " Washer
13710	14468	" Spring
201224B	14468	" Stud
201572B	10881	" Thumb Nut
223706	14468	Thread Controller Disc
200978H	14468	" " " Screw
237174	14484	" " Spring
242117	14484	" " " Stop
200132E	14474	" " " Screw
201199f	14468	" " Stud with 204925
200061c	14468	" " " Set Screw
201572B	10881	" " " Thumb Nut

Parts for Machine No. 112w126

No.	Plate	Name
204925	14168	Thread Controller Stud Washer
224028	14468	" Guide
224040	14184	" "
210954	14168	" " (lower)
210955	14468	" " (upper)
200582H	13232	" " Screw (3)
240034	14484	" Retainer
200368H	14174	" " Set Screw
224030	14177	Throat Plate, for 223629, in gauges $\frac{1}{8}$, $\frac{3}{16}$, $\frac{1}{4}$ and $\frac{5}{16}$ inch
223884	14177	Throat Plate, for 223628, in gauges from $\frac{1}{4}$ to $\frac{3}{16}$ in., in steps of $\frac{1}{32}$ inch
224033	14177	Throat Plate, for 223632, in gauges from $\frac{1}{16}$ to $\frac{3}{16}$ in., in steps of $\frac{1}{32}$ inch
224035	14177	Throat Plate, for 223635, in gauges from 1 to $1\frac{1}{2}$ in., in steps of $\frac{1}{2}$ inch
200161D	14168	Throat Plate Clamp Screw
203376	14468	" " Position Pin
691F	14468	" " Screw
240183	14484	Vibrating Presser Bar
240184	14484	" " " Connecting Link
240185	14173	Vibrating Presser Bar Extension with 204264 and 240186
240186	14484	Vibrating Presser Bar Extension Collar
204264	14484	Vibrating Presser Bar Extension Collar Pin
240188	14473	Vibrating Presser Bar Extension Spring
350299E	14484	Vibrating Presser Bar Thumb Screw (pressure regulating)
202277	—	Vibrating Presser Bar Oil Packing (wick)
237187	14479	Vibrating Presser Foot, 46 needle hole, in gauges from $\frac{1}{4}$ to $\frac{1}{16}$ in., in steps of $\frac{1}{32}$ in., with 200086f, for 237178

Parts for Machine No. 112w126

No.	Plate	Name
237188	14479	Vibrating Presser Foot, 46 needle hole, in gauges from $\frac{3}{8}$ to $\frac{7}{8}$ in., in steps of $\frac{1}{16}$ in., with 200086F, for 237179
237189	14479	Vibrating Presser Foot, 46 needle hole, in gauges from $\frac{11}{16}$ to $1\frac{1}{2}$ in., in steps of $\frac{1}{16}$ in., with 200086F, for 237180
200086F	14472	Vibrating Presser Foot Pinch Screw

ACCESSORIES

No.	Plate	Name
200157B	14474	Attachment Screw
203470	14469	Bobbin (10)
*225482	"	" Case Screw Driver Blade ...
*225483	"	" " " " Handle ...
225497	14383	Bobbin Case Screw Driver complete, Nos. 225482 and 225483 ...
126 x 9	"	Needles, twelve, size 18
224121	"	Drip Pan, 20 in. long, with four 1 in. wire nails
41400	14383	Machine Rest Pin (wood)
120342	14383	Oiler (copper plated) with 120343
120343	14383	" Spout, $3\frac{1}{2}$ in. long
*225484	"	Screw Driver Blade
*225485	"	" " Handle
225498	14383	Screw Driver complete (7 $\frac{1}{2}$ in. long), Nos. 225484 and 225485 ...
225554	14383	Wrench (steel)

BOBBIN WINDER

Swing Automatic, Right Hand

225453	10884	Frame with 202277 and 225438
225454	10881	" Hinge Pin
202277	"	" Oil Packing (wick)
225438	10884	" " Well Cap
225455	10884	" Spring
225456	10884	" Plunger
202473	10885	Pulley with 200380c
200380c	14468	" Set Screw
225381	10884	Spindle
225444	10884	Stop Latch
200056F	10884	" " Screw
225458	10884	" " Thumb Lever
225459	10884	" " " " Hinge Stud
225459	10884	" " " " Joint Stud
202478	10884	" " Trip Lever
200299H	10884	" " " " Hinge Screw
225461	10881	Tension Bracket with 201499B
200082D	10881	" " Screw
228026	10884	" " " Washer
2102	10881	" Disc

Accessories

No.	Plate	Name
202407	10881	Tension Spring
201499b	10881	" Stud
201572b	10881	" " Thumb Nut
225462	10881	Bobbin Winder Tension Bracket complete, Nos. 201572b, 202407, 225461 and two 2102
225433	10885	Bobbin Winder and Tension Bracket Base
225382	10885	Universal Bobbin Winder complete, Nos. 200056e, 200082b, 200299h, 202473, 202478, 225381, 225433, 225444, 225453 to 225456, 225458, 225462, 228026, two each 225459 and wood screws $\frac{3}{4}$ in., No. 12, R.H.B.

KNEE LIFTER

2763	13395	Knee Lifter Rock Shaft
228278	13395	" " " " Hanger (back) with 356c
228279	—	Knee Lifter Rock Shaft Hanger 228278 with 202452 and 228282 ..
228280	13395	Knee Lifter Rock Shaft Hanger (front) with two 356c
228281	—	Knee Lifter Rock Shaft Hanger 228280 with 202452 and 228282 ..
228282	13395	Knee Lifter Rock Shaft Hanger Bracket with two wood screws $\frac{3}{4}$ in., No. 12
202452	14468	Knee Lifter Rock Shaft Hanger Hinge Pin
228283	13395	Knee Lifter Rock Shaft Lifting Lever with two 356c
227728	13395	Knee Lifter Rock Shaft Lifting Lever Rod, 3 in. long, with 227729
227729	—	Knee Lifter Rock Shaft Lifting Lever Rod Cap
356c	14468	Knee Lifter Rock Shaft Lifting Lever Rod Set Screw
356c	14468	Knee Lifter Rock Shaft Lifting Lever Set Screw
202455	13395	Knee Lifter Rock Shaft Knee Arm
356c	14468	" " " " " " Set Screw
228284	13395	Knee Lifter Rock Shaft Knee Plate with 356c

Accessories

No.	Plate	Name
356c	14468	Knee Lifter Rock Shaft Knee Plate Set Screw
356c	14468	Knee Lifter Rock Shaft Set Screw
228285	13395	Knee Lifter Rock Shaft complete, Nos. 2763, 202455, 227728, 228279, 228281, 228283 and 228284

THREAD UNWINDER

225323	14083	Spool Rest (for one spool) with 201018c
225325	14083	Spool Rest (for two spools) with 201018c
225388	14083	Spool Rest Rod
200383c	14468	" " " Set Screw
201018c	14468	" " Set Screw
202490	14083	" Stand with 200383c
225391	14083	Thread Guide
201696j	14468	" " Lock Nut
225326	14468	" " Position Cup
225324	14083	" " Rod with 208E and 225322
208E	14468	Thread Guide Rod Screw
225322	14468	" " " " Washer
225397	14083	Thread Unwinder (for three spools) complete, Nos. 201696j, 202490, 225323 to 225326, 225388, three each 225391 and wood screws $\frac{3}{4}$ in., No. 12

PRESSER FEET

No.	Plate	Name
237178	14478	Lifting Presser Foot, for 237187 and 237190, in gauges from $\frac{1}{4}$ to $\frac{11}{16}$ in., in steps of $\frac{1}{32}$ inch
237179	14478	Lifting Presser Foot, for 237188 and 237191, in gauges from $\frac{3}{8}$ to $\frac{7}{8}$ in., in steps of $\frac{1}{16}$ inch
237180	14478	Lifting Presser Foot, for 237189, in gauges from $\frac{3}{16}$ to $1\frac{1}{2}$ in., in steps of $\frac{1}{16}$ inch
230980	14478	Lifting Presser Foot, in gauges $\frac{3}{16}$, $\frac{1}{2}$ and $\frac{3}{4}$ inch
237187	14479	Vibrating Presser Foot, 46 needle hole, in gauges from $\frac{1}{4}$ to $\frac{11}{16}$ in., in steps of $\frac{1}{32}$ in., with 200086E, for 237178
237188	14479	Vibrating Presser Foot, 46 needle hole, in gauges from $\frac{3}{8}$ to $\frac{7}{8}$ in., in steps of $\frac{1}{16}$ in., with 200086E, for 237179
237189	14479	Vibrating Presser Foot, 46 needle hole, in gauges from $\frac{3}{16}$ to $1\frac{1}{2}$ in., in steps of $\frac{1}{16}$ in., with 200086E, for 237180
237190	14479	Vibrating Presser Foot, 40 needle hole, in gauges from $\frac{1}{4}$ to $\frac{11}{16}$ in., in steps of $\frac{1}{32}$ in., with 200086E, for 237178
237191	14479	Vibrating Presser Foot, 40 needle hole, in gauges from $\frac{3}{8}$ to $\frac{7}{8}$ in., in steps of $\frac{1}{16}$ in., with 200086E, for 237179
230981	14479	Vibrating Presser Foot, 46 needle hole, in gauges from $\frac{3}{16}$, $\frac{1}{2}$ and $\frac{3}{4}$ in., with 201015E

BINDERS

BINDER FOR BLANKET BINDING

No.	Plate	Name
230973	14480	Binder Guide, for binding from 2 to 3 in. wide, in steps of $\frac{1}{16}$ inch .. State width of binding.
200126D	14482	Binder Guide Screw
230972	14480	Binder Head, for binding from 2 to 3 in., in steps of $\frac{1}{16}$ inch
		Furnish sample of binding and material to be bound.
231069	14480	Binder Ribbon Tension Pin
230974	14480	" " " " Plate with eight 231069
200126D	14482	Binder Ribbon Tension Plate Screw
230975	14480	" Swing Bracket
230976	14480	" " " " Base
200922B	14482	" " " " Hinge Screw
200507D	14482	Binder Thumb Screw
230977	-----	Binder complete, for blanket binding, Nos. 200922B, 230975 to 230976, two 200507D and four 200126D
		Furnish sample of binding and material to be bound.
230978	14482	Feed Dog, 50 needle hole, for needle sizes 14 and 15, in gauges $\frac{1}{16}$, $\frac{1}{8}$ and $\frac{1}{4}$ inch
230980	14478	Lifting Presser Foot in gauges $\frac{3}{16}$, $\frac{1}{2}$ and $\frac{3}{4}$ inch
230979	14478	Throat Plate, in gauges $\frac{3}{16}$, $\frac{1}{2}$ and $\frac{3}{4}$ inch
230981	14479	Vibrating Presser Foot, 46 needle hole, in gauges $\frac{3}{16}$, $\frac{1}{2}$ and $\frac{3}{4}$ in., with 201015E
201015E	14482	Vibrating Presser Foot Pinch Screw

BINDER FOR BLANKET BINDING

231007	14481	Binder Head, for binding from $\frac{3}{4}$ to $1\frac{1}{2}$ in. wide, in steps of $\frac{1}{16}$ inch .. Furnish sample of binding and material to be bound.
--------	-------	---

Binders

No.	Plate	Name
200190D	14482	Binder Head Screw
230231	14481	" Swing Bracket Base
231008	14481	" " " with 20083SE, 230247 and four 230246
200976B	14482	Binder Swing Bracket Base Hinge Screw
200463D	14482	Binder Thumb Screw
231009	---	Binder complete, for blanket bind- ing, Nos. 200190D, 200463D, 200465F, 200976B, 201557B, 201601C, 230231, 230243, 231007 and 231008 Furnish sample of binding and mat- erial to be bound.
230243	14481	Ribbon Tension Adjusting Slide with 230245 and three 230244 ...
230244	14481	Ribbon Tension Adjusting Slide Pin
230245	14481	" " " " " (guard)
200838E	14482	Ribbon Tension Adjusting Thumb Nut Screw Stud
200465F	14482	Ribbon Tension Adjusting Slide Thumb Screw
201601C	14482	Ribbon Tension Adjusting Slide Thumb Screw Wing Nut
201557B	14482	Ribbon Tension Adjusting Thumb Nut
230246	14481	Ribbon Tension Pin
230247	14481	" " " (guard)

MISCELLANEOUS PARTS

Used in conjunction with Thread Unwinder

60913	14083	Spool Weight with 60914
60914	---	" " Center Pin
225377	14083	" Wire, for small spools
27739	---	Thread Cone (wood)

PLATE 10881—FULL SIZE

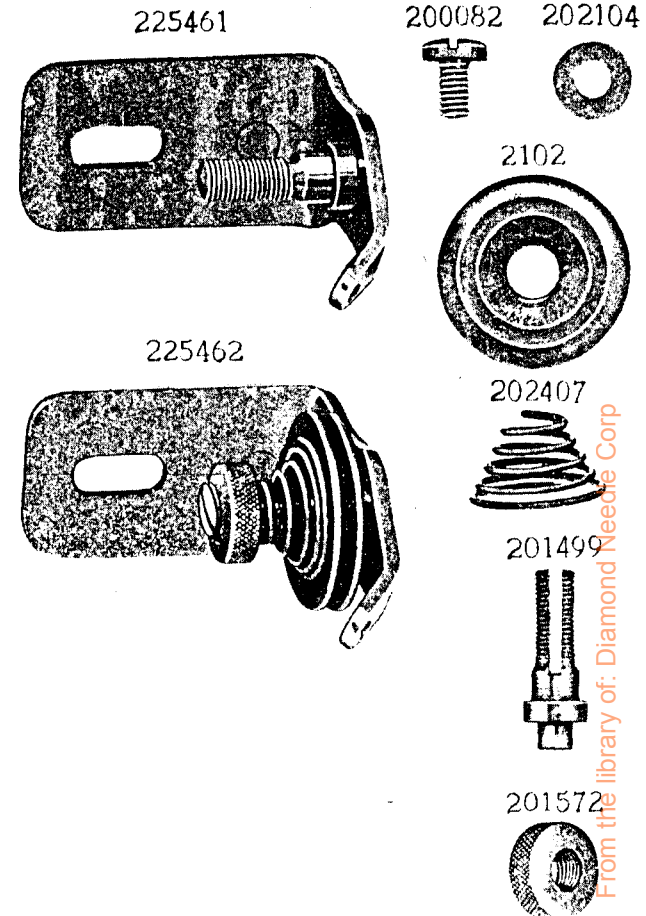


PLATE 10884—FULL SIZE

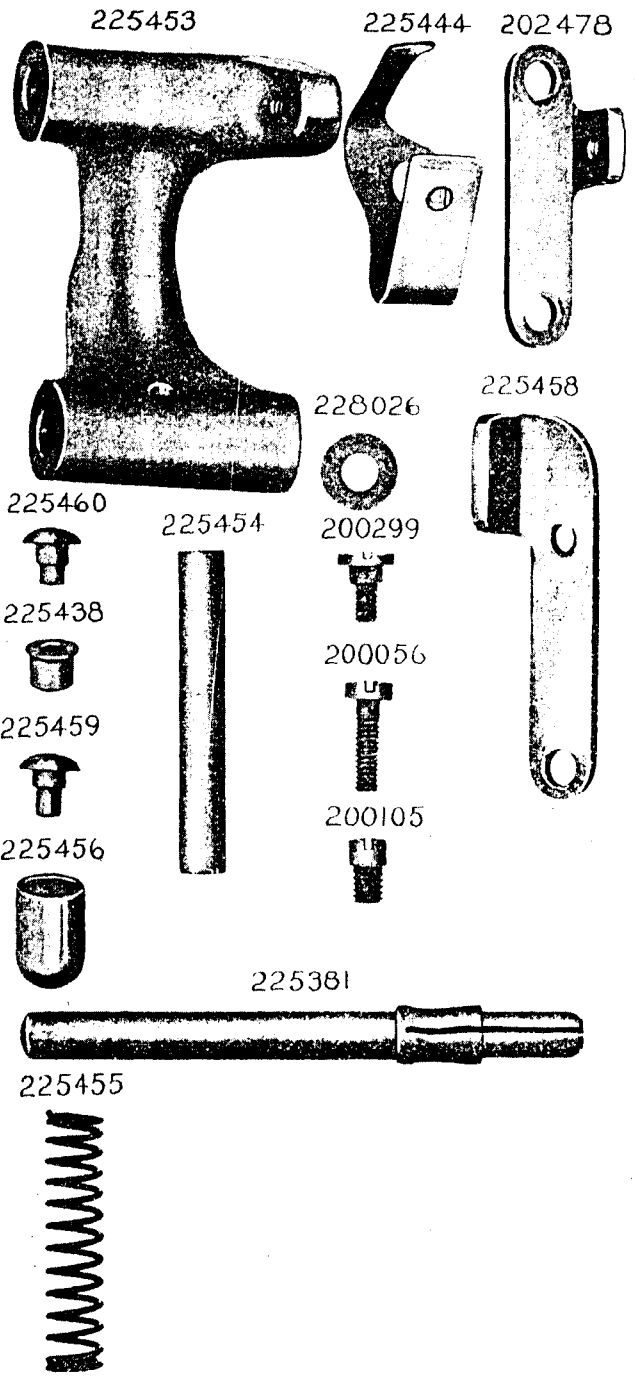
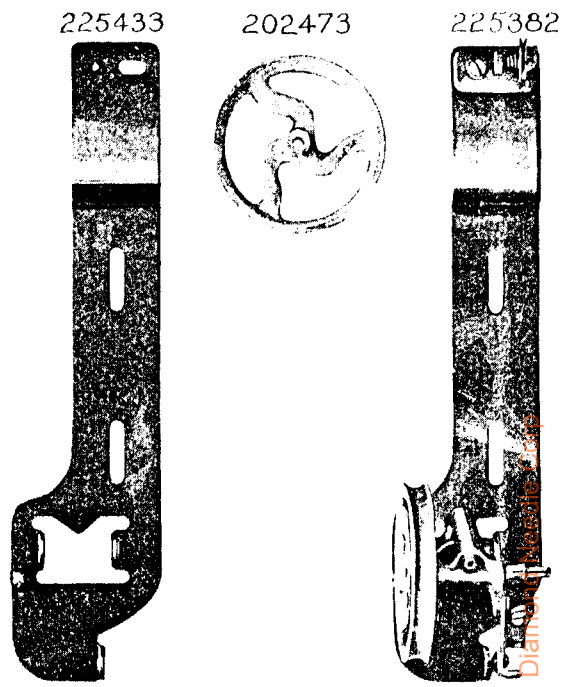


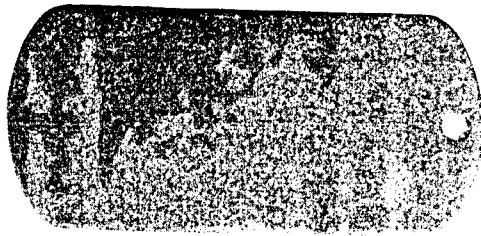
PLATE 10885—ONE-FOURTH SIZE



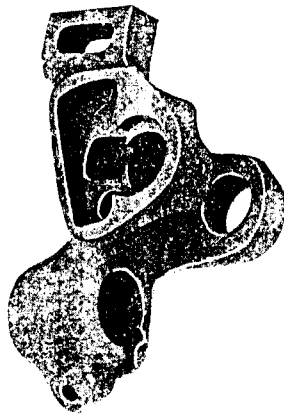
From the library of: [Diana M. Rosalind Indiana](http://www.rosalindindiana.org)

PLATE 13224—ONE-HALF SIZE

224002



224024



224023

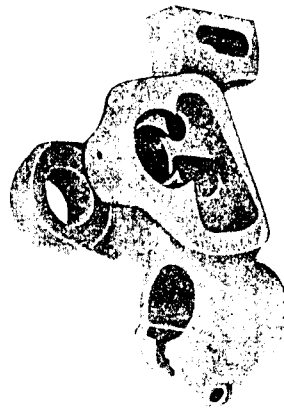


PLATE 13232—FULL SIZE

200341



201349



223622



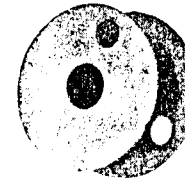
200570



201542



203470



223623



200118



200594



202135



203648



203473



201223



203214



200106



200473



200075



201518



201517



201535



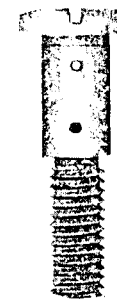
200049



200582



201171



201352



From the library of: Diamond Needle Corp

PLATE 13233—ONE-HALF SIZE

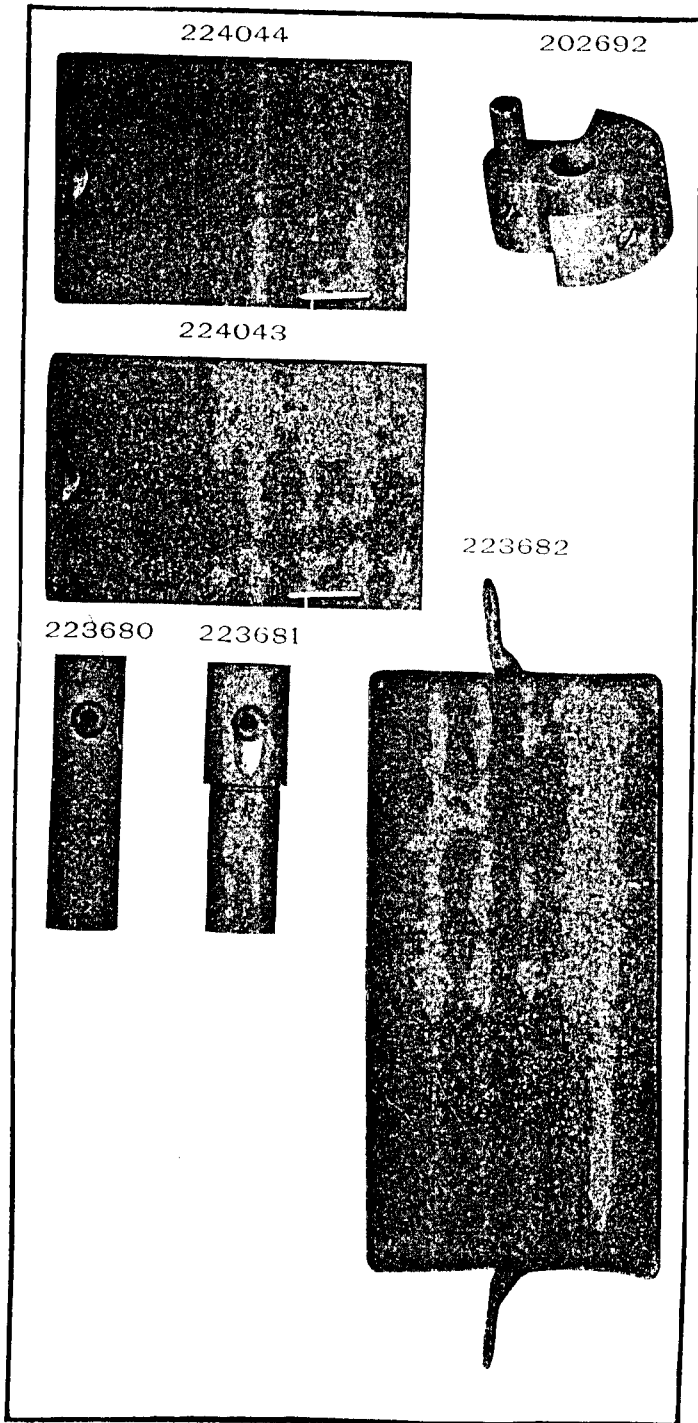
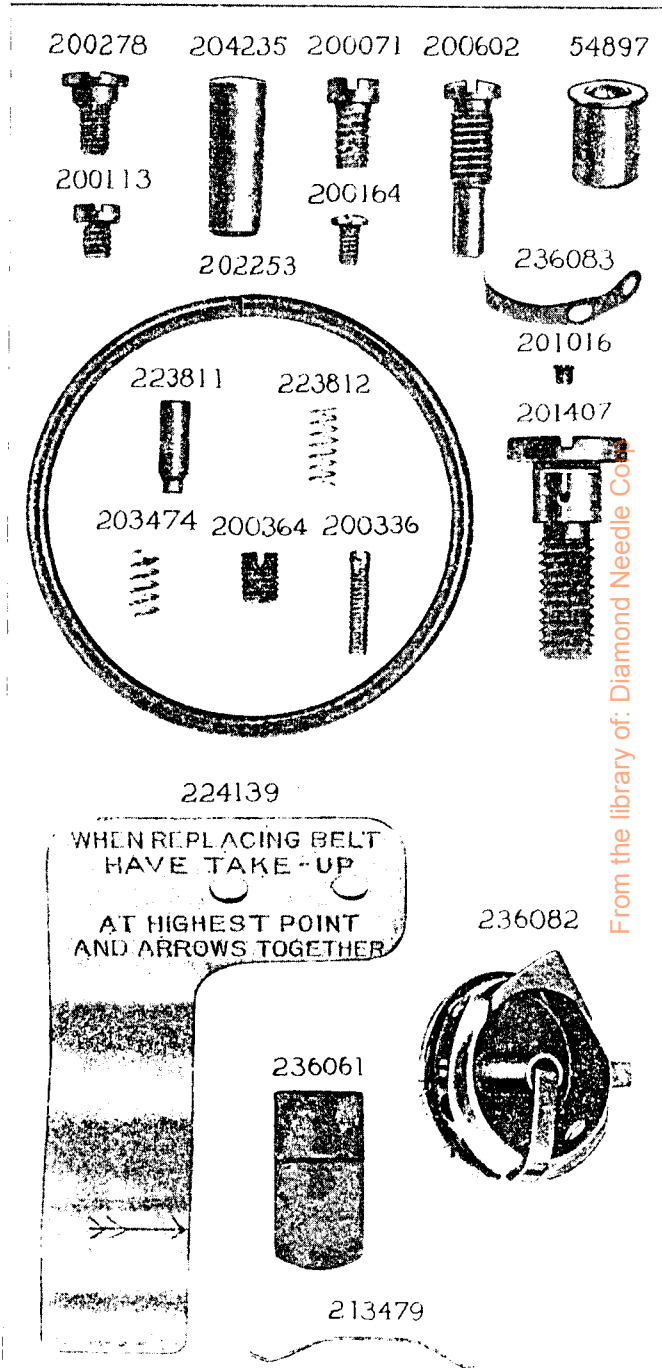


PLATE 13265—FULL SIZE



From the library of: Diamond Needle Corp.

PLATE 13395—ONE-FOURTH SIZE

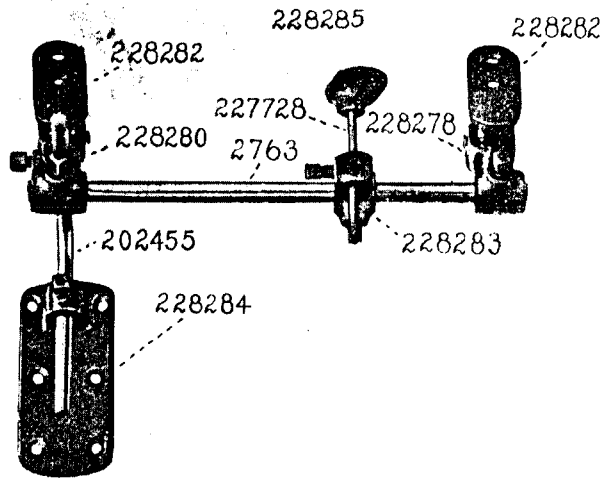
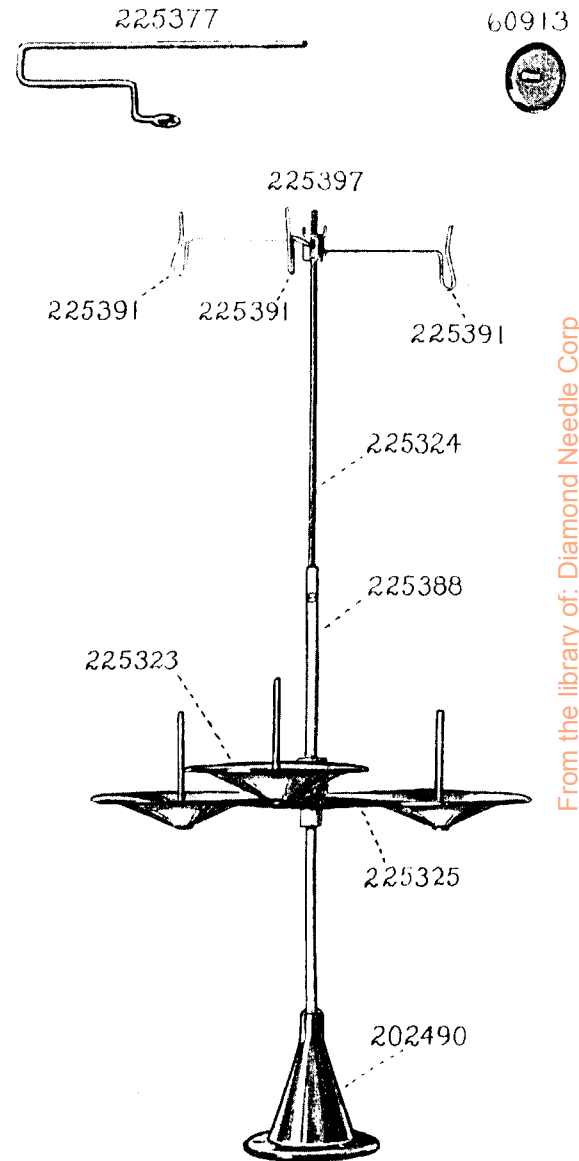


PLATE 14083—ONE-SIXTH SIZE



From the library of: Diamond Needle Corp

PLATE 14383—ONE-HALF SIZE

225497



225554



2.25498



41400



120342

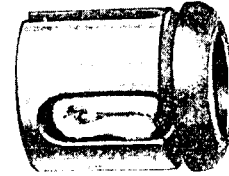


120343



PLATE 14459—ONE-HALF SIZE

202243



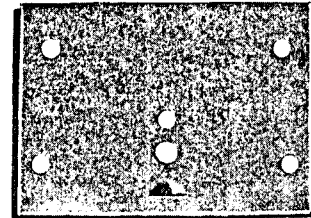
207080



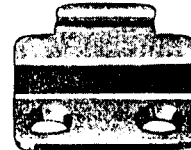
224111



224144



202258



224103



From the library of: Diamond Needle Corp

PLATE 14462—FULL SIZE

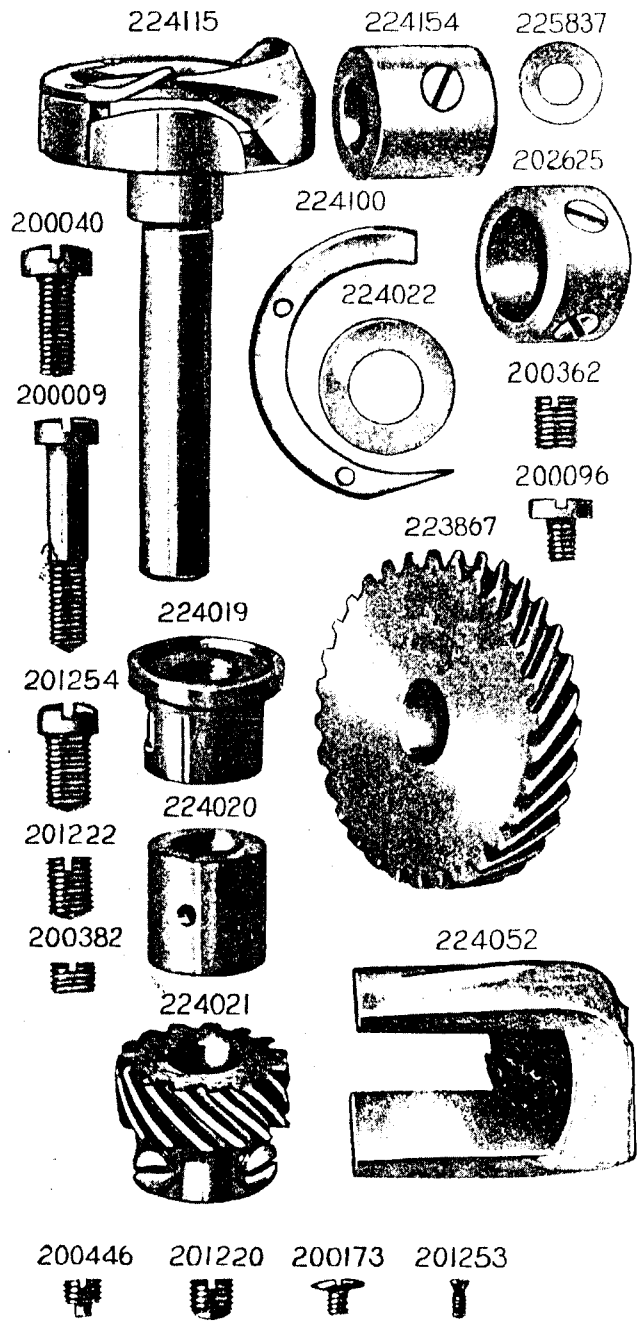


PLATE 14468—FULL SIZE

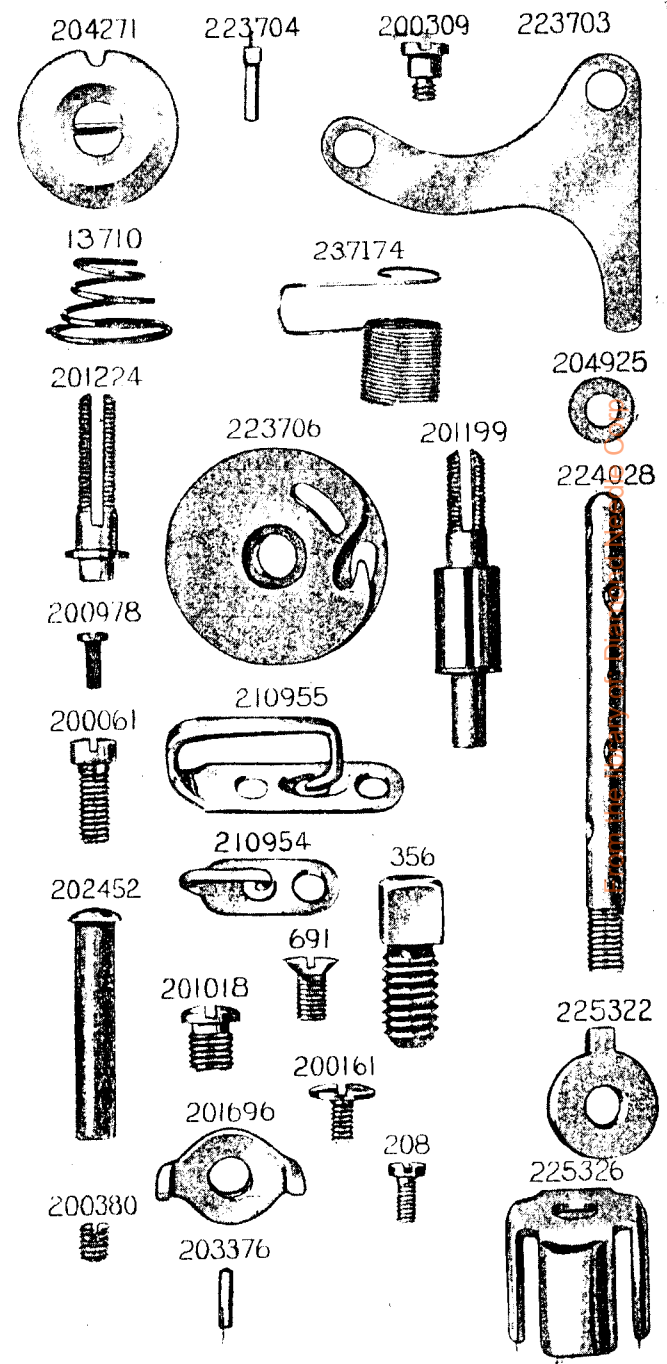


PLATE 14469—FULL SIZE

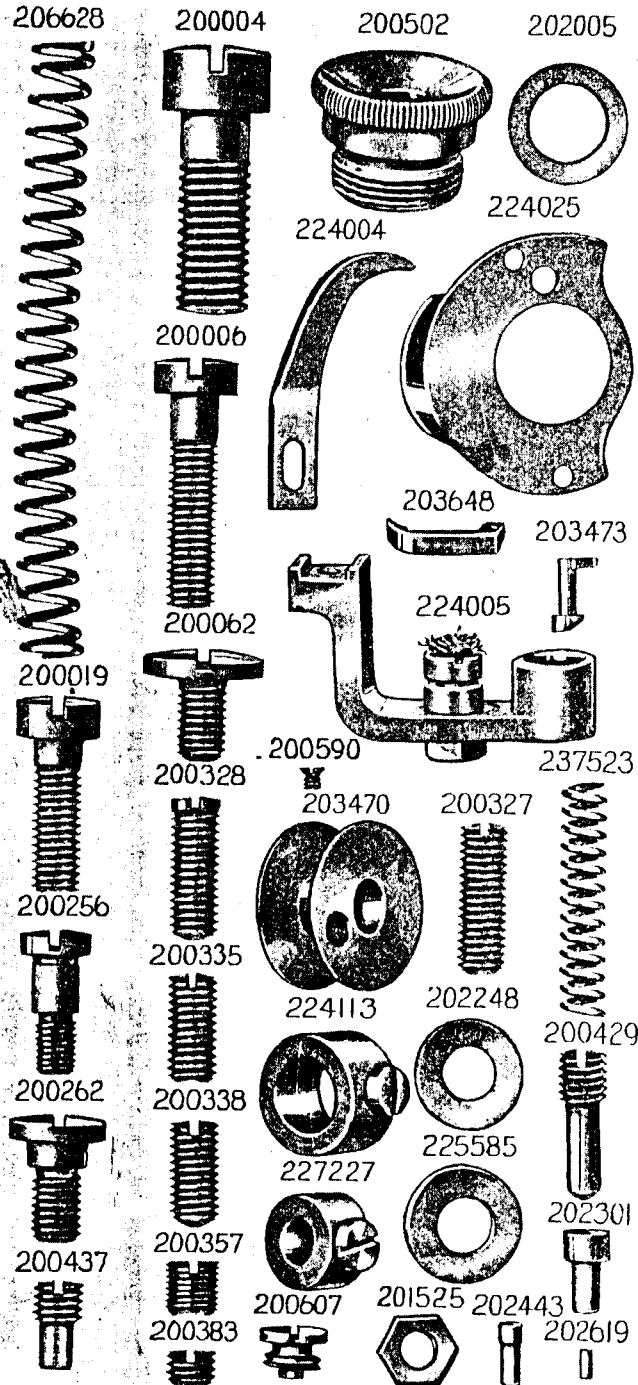
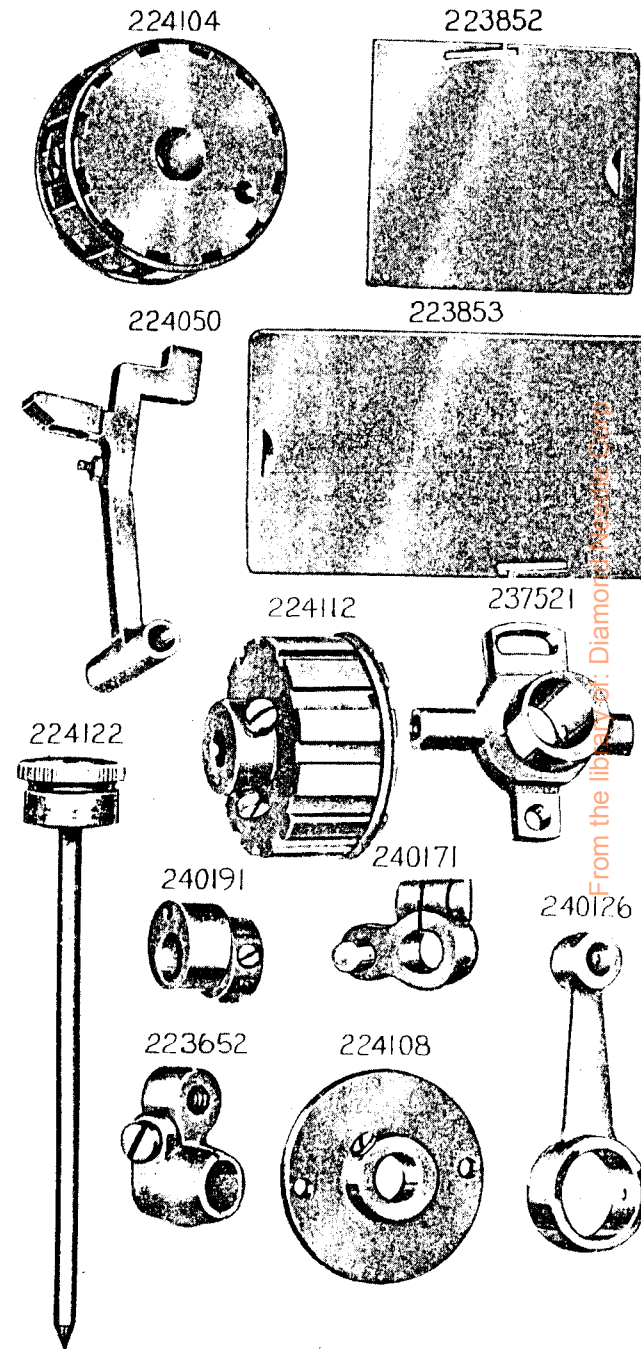


PLATE 14470—ONE-HALF SIZE



From the library of: Diamond Research Corp.

PLATE 14471—ONE-FOURTH SIZE

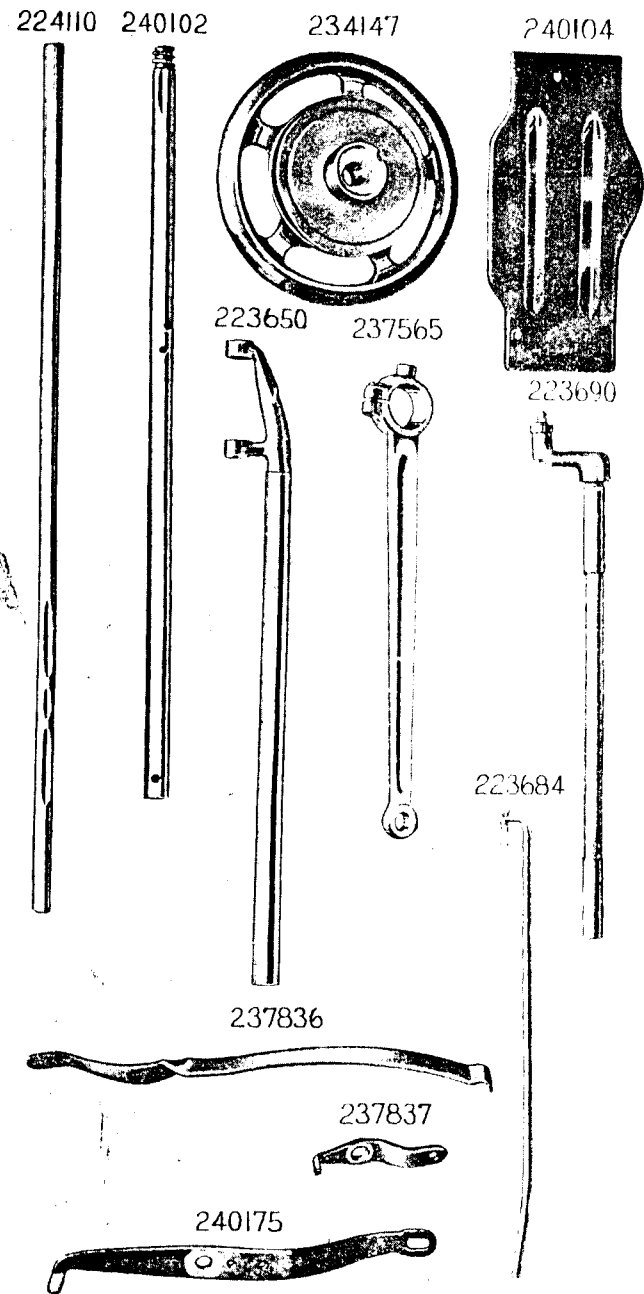


PLATE 14472—FULL SIZE

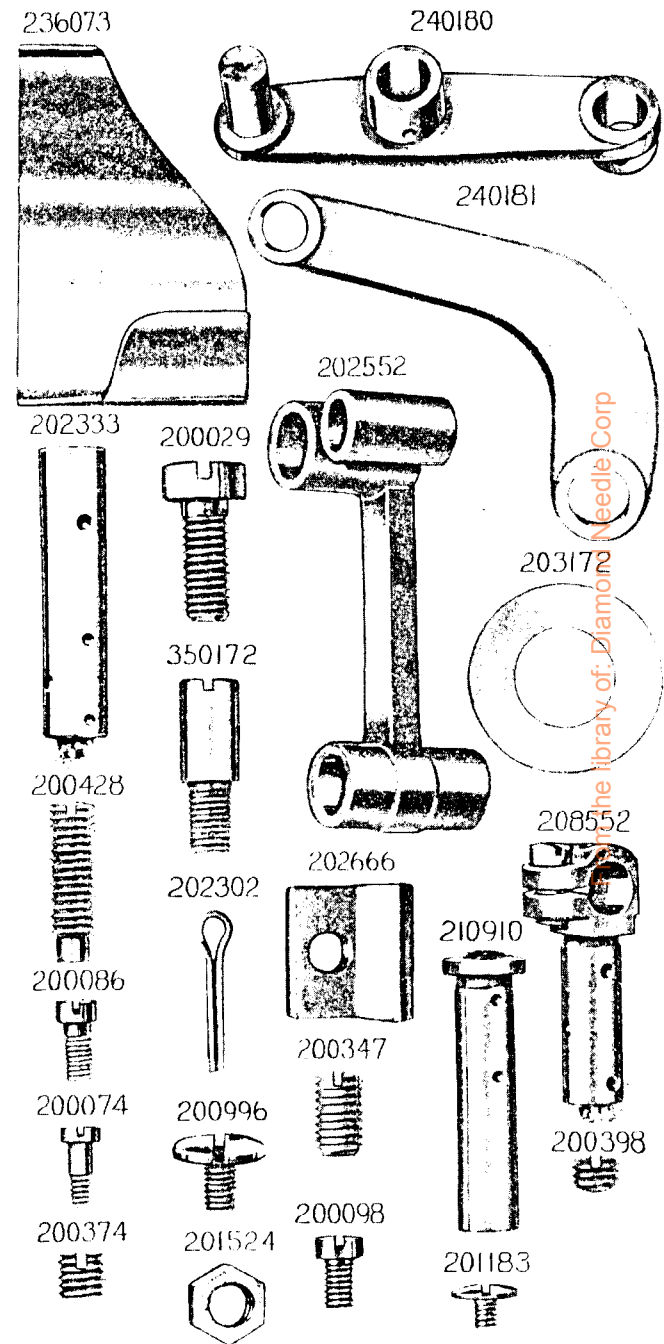


PLATE 14473—ONE-HALF SIZE

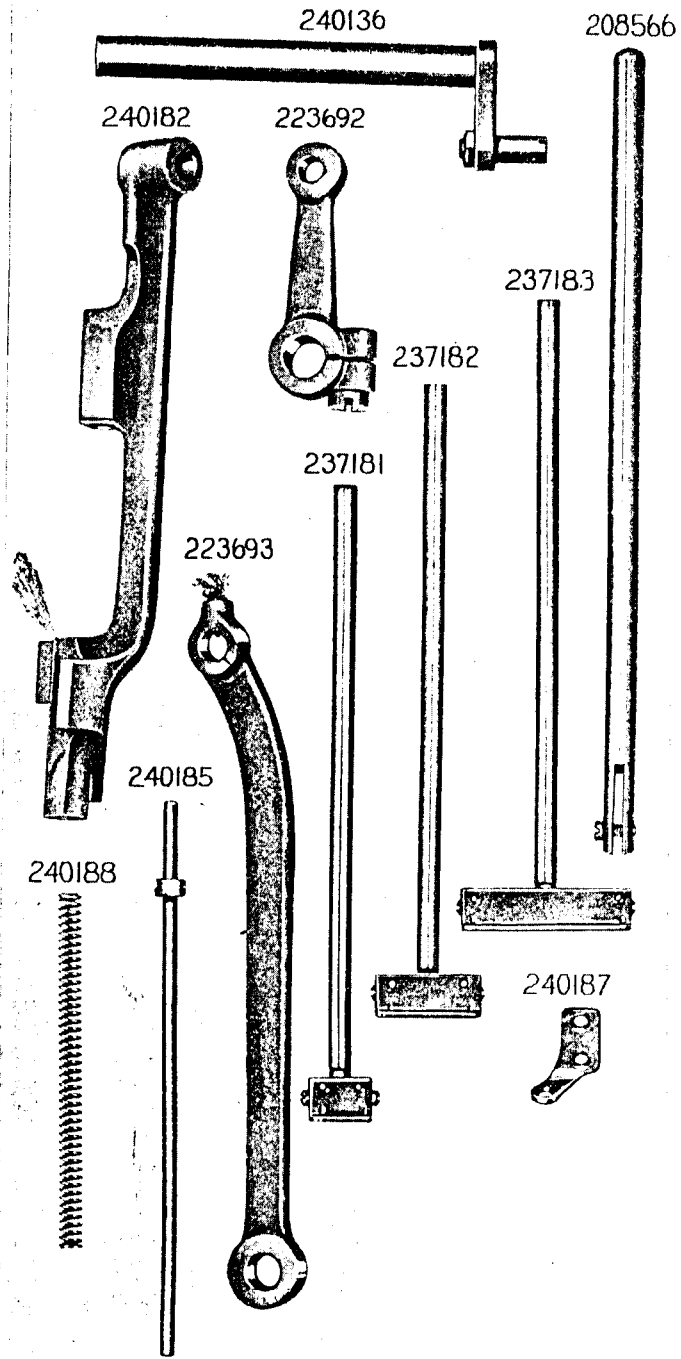
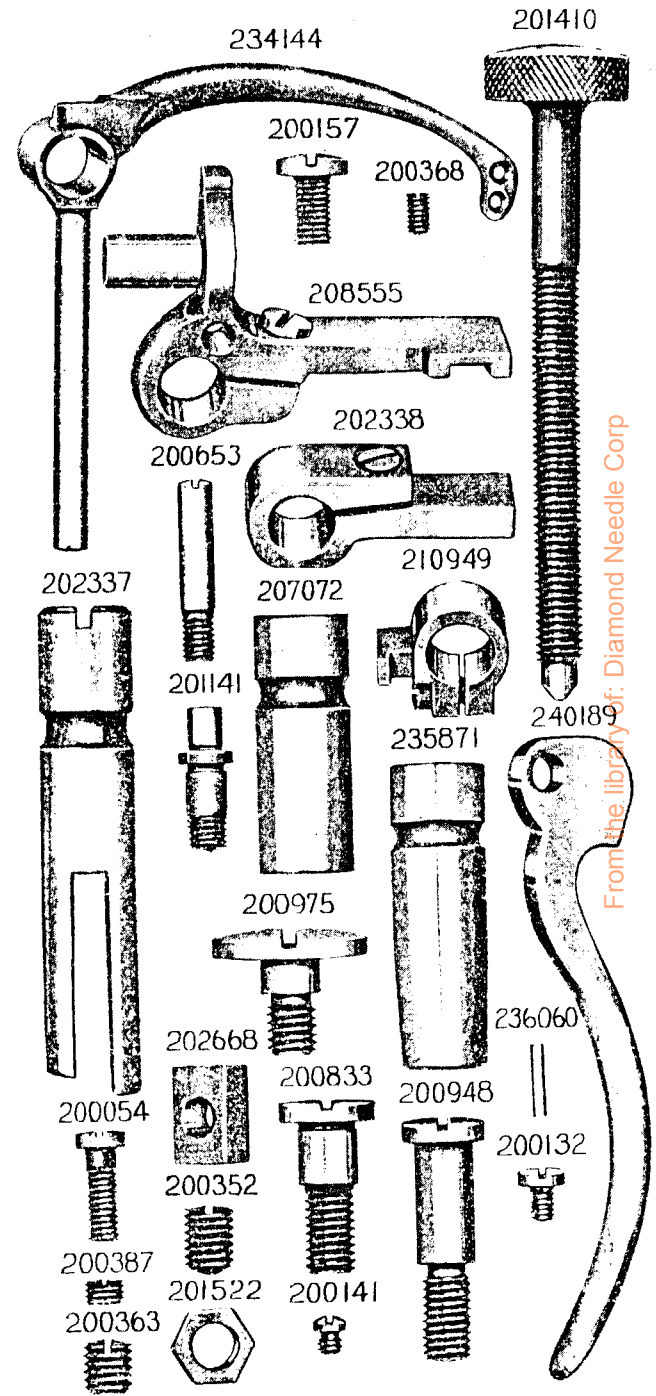


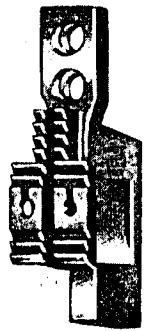
PLATE 14474—FULL SIZE



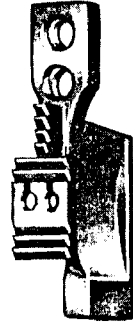
From the library of: Diamond Needle Corp

PLATE 14476—FULL SIZE

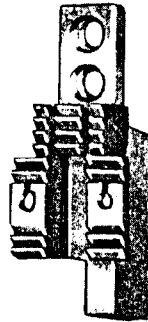
223628



223629



223632



223635

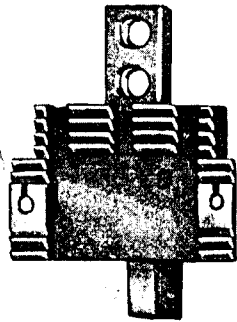
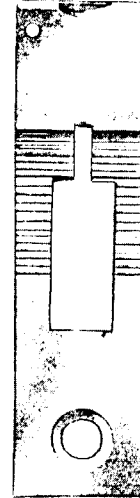
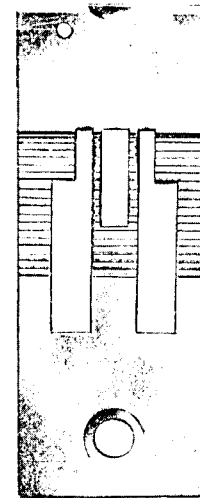


PLATE 14477—FULL SIZE

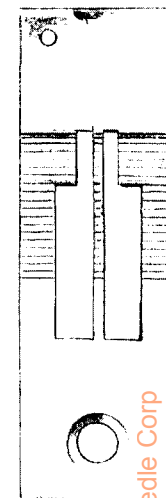
224030



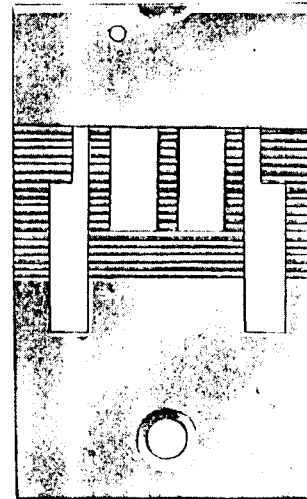
224033



223884



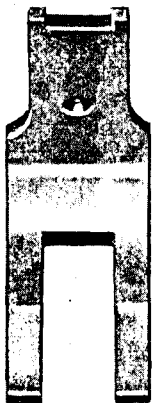
224035



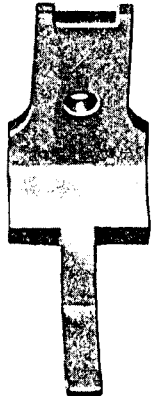
From the library of: Diamond Needle Corp

PLATE 14478—FULL SIZE

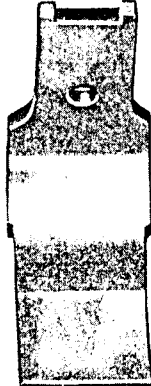
237178



237179



237180



230980

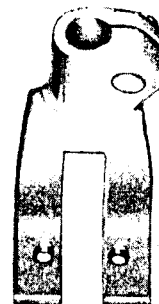


PLATE 14479—FULL SIZE

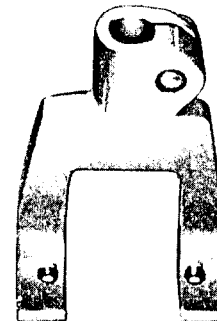
237187



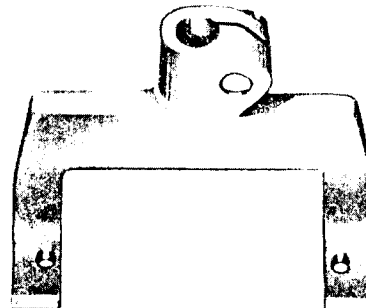
237188



237191



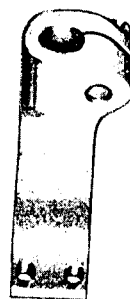
237189



237190



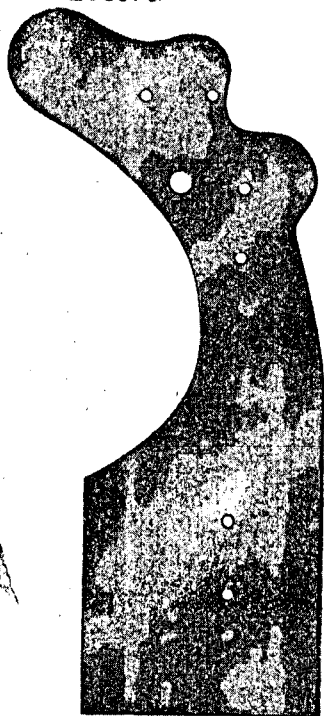
230981



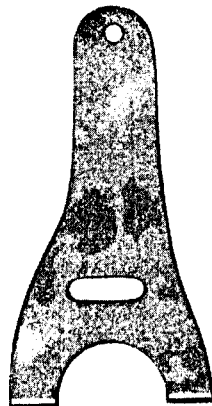
From the library of: Diamond Needle Corp

PLATE 14480—ONE-HALF SIZE

230975



230976



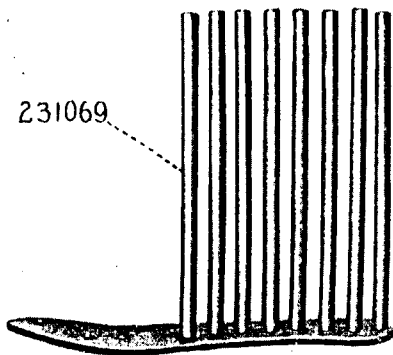
230973



230972



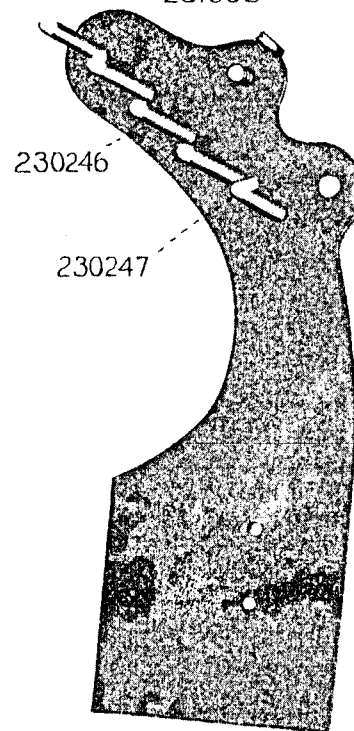
230974



231069

PLATE 14481—ONE-HALF SIZE

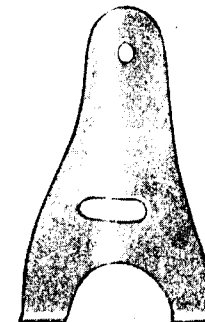
231008



230246

230247

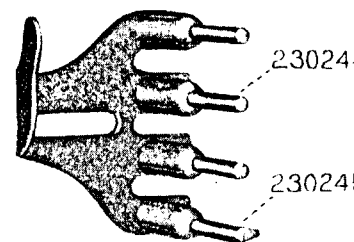
230231



231007



230243



230244

230245

From the library of: Diamond Needle Corp

PLATE 14482—FULL SIZE

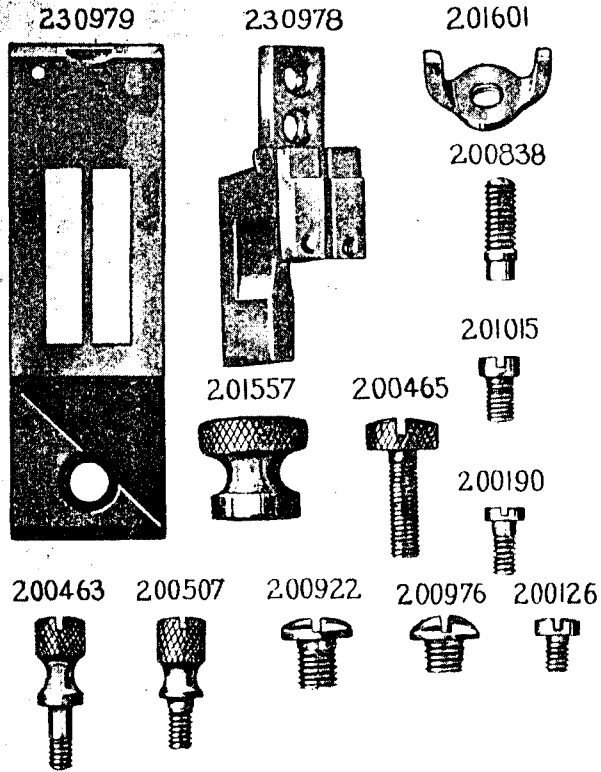
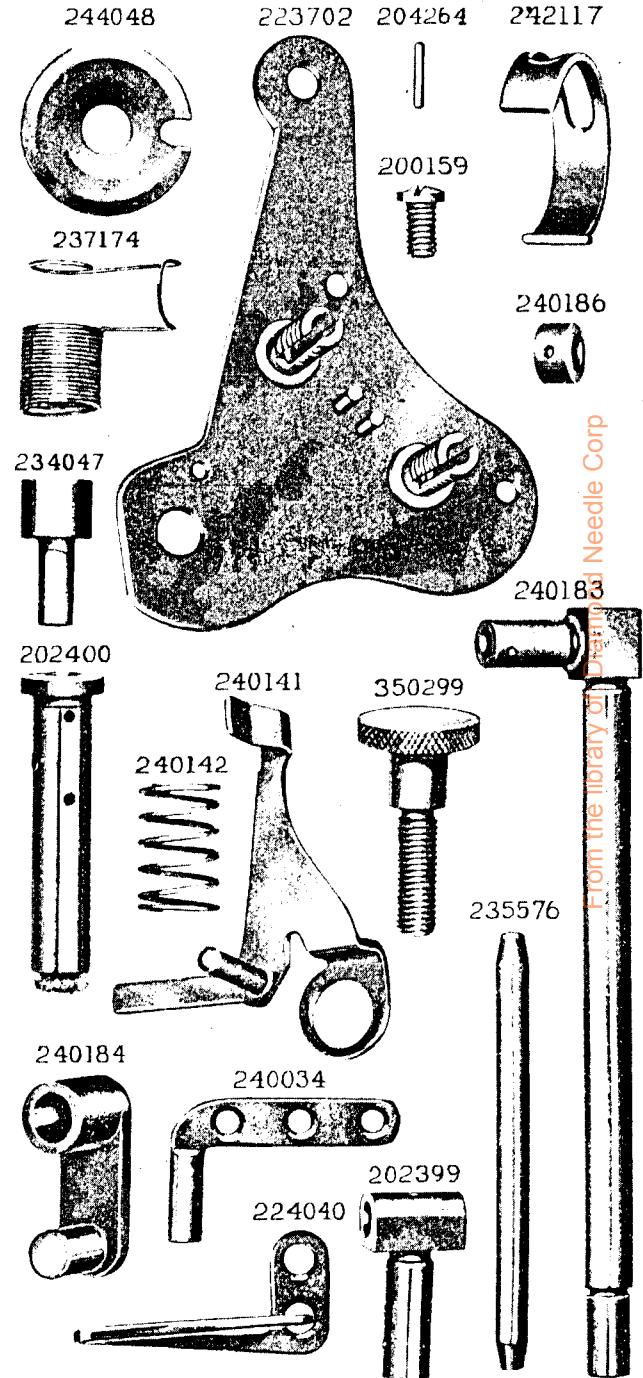


PLATE 14484—FULL SIZE



From the library of Dean's Needle Corp